



# DUROWALK® Composite Access Assembly

The DUROWALK® access assembly is optimized as a medium duty composite frame and cover for pedestrian areas and other off-street applications such as raised manholes. It offers easy operation, a five year warranty, UV resistance, and is gray to blend in with sidewalks.

**Benefits:**

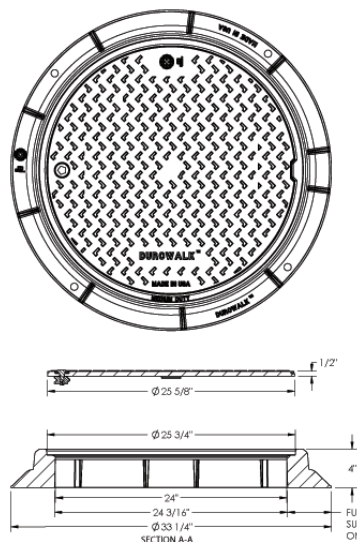
- Durable
- Ergonomically friendly
- Non-Corrosive
- Non-Conductive
- No signal interference
- Theft deterrent (no scrap value)

**Standard Features**

- Medium duty
- Color: Gray
- Worm gear lock—penta head composite bolt that is also a lifting mechanism (special tool required)
- UV resistant
- Five year limited warranty
- Made in the USA

**Options**

- AMR attachments
- Color: Black
- Locating magnet
- Watertight Level 1 (L1)



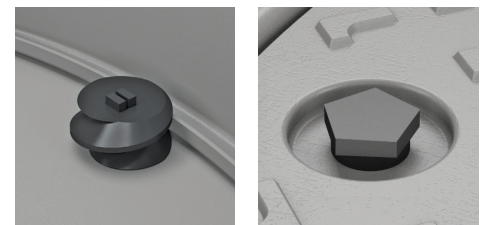
Standard 24" clear opening frame and cover.



Bottom view of the standard 24" assembly.

**DUROWALK Access Assembly Options**

Lettering	Assembly Number
—	COM7026020A01
Sewer	COM7026022A01
Sanitary Sewer	COM7026021A01



Illustrating the worm gear lock from underneath (left) and the penta head from above (right).