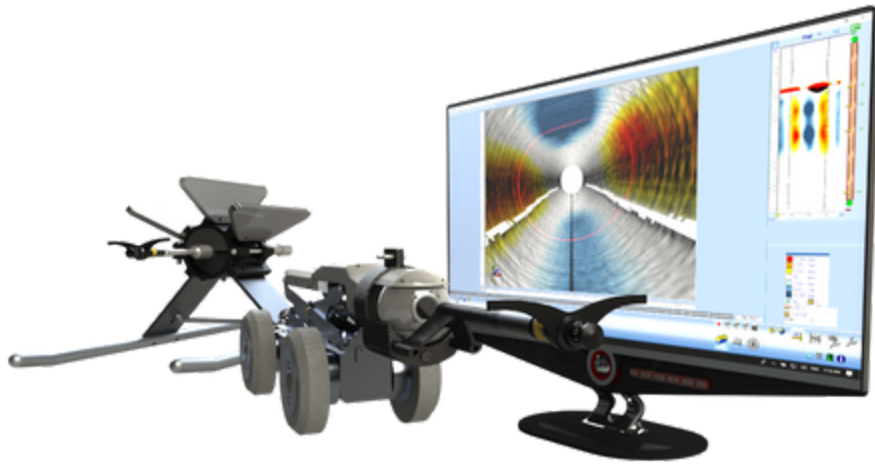


# Profiler® MSI Pipe Inspection Float

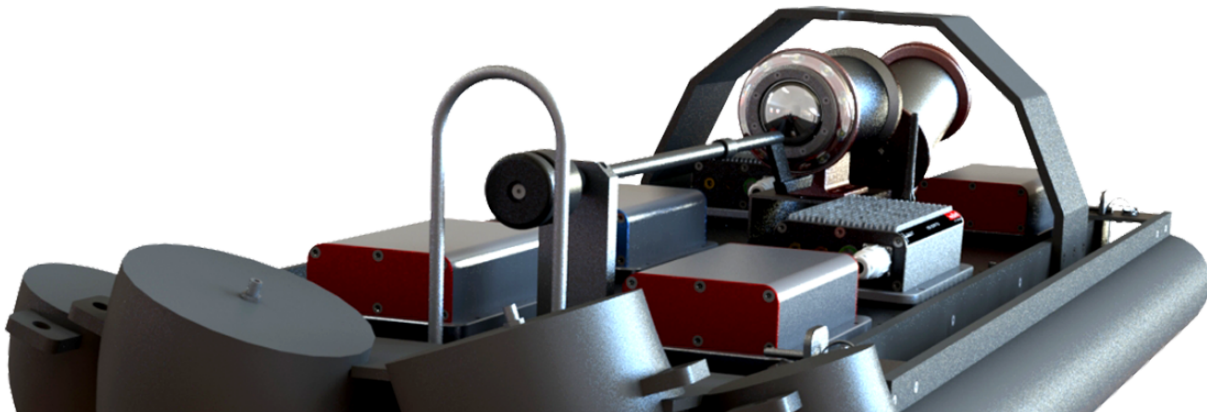
---



## Meet the Profiler® MSI Pipe Inspection Float family.

---

The team of profiling tools that can meet all of your wastewater infrastructure inspection needs.



## SuperMk Proter©

---

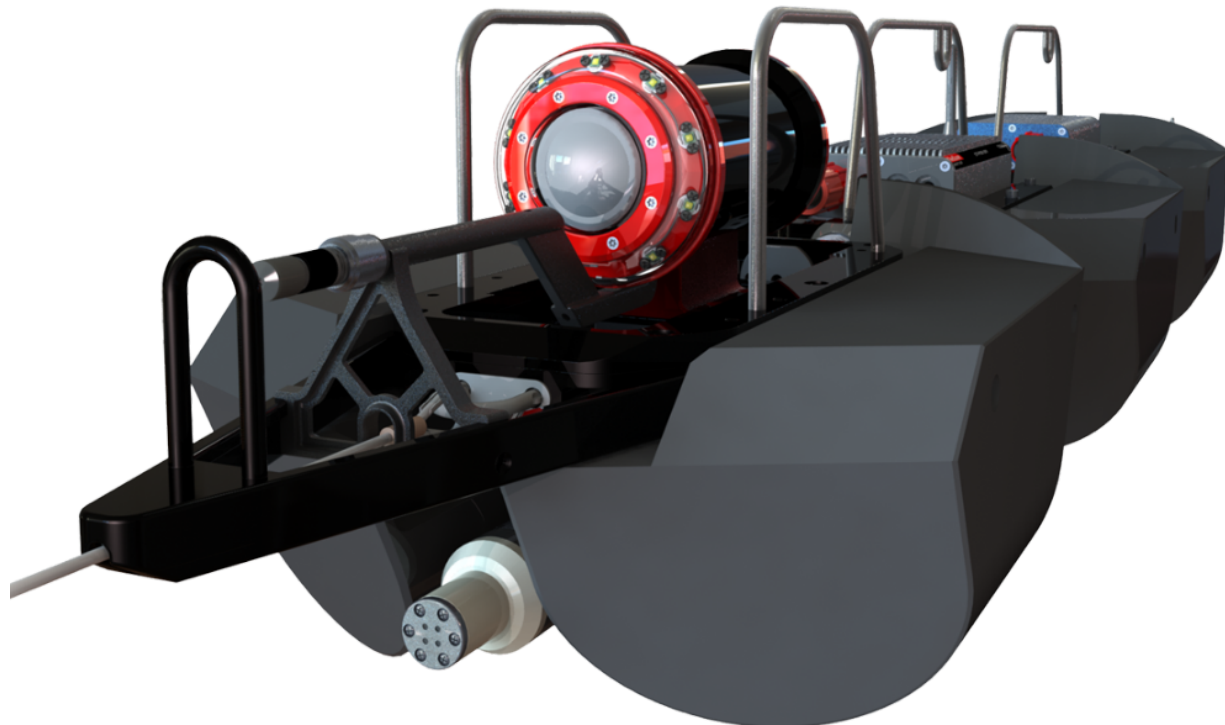
Designed for interceptors Laser/sonar profiling

Wide-angle video

Long distance deployments

[>> Learn more](#)





## MDProfiler®

---

Designed for **mid-sized pipes** with or without flow Laser/sonar profiling  
Long distance deployments

[>> Learn more](#)



## MDSub®

---

Designed for **siphons and fully surcharged lines** Sonar  
Long distance deployments

[>> Learn more](#)



## SnapOn Profiler®

---

Designed to **enhance existing crawler platforms** Ovality measurement  
Data management software

[>> Learn more](#)



## Why Profiler®?

---

The adaptable, accurate multi-sensor monitoring solution for almost any pipe.

### 1. **Adaptable**

The Profiler® MSI Pipe Inspection Float is adaptable for an **abundance of pipe sizes with and without flow.**

### 2. **Long range**

Conventional sonar platforms require a cable to the surface to control the equipment in the pipe. Due to the modular recording components stored within Profiler® MSI Pipe Inspection Float, inspections are only limited by the battery life of the unit, **allowing for long stretches of line to be easily inspected.**

### 3. **Siphons**

**Inspect siphons and fully surcharged lines** to identify the true condition of your pipes.

### 4. **Accuracy**

Accurate, precision assessment with accuracy of **+/- 3 mm – 24mm (.12 in – .9 in)** dependent on Profiler platform and conditions.

## SuperMD Profiler®

---

Designed to traverse **interceptors** and other hard-to-reach assets that most conventional crawlers cannot, SuperMD is the perfect choice for long distance deployments of **10,000 feet (3,000 meters)** or more, providing laser and sonar profiling with high-resolution virtual pan, tilt, and zoom camera.

## Proactively protect interceptors

---

Interceptors are some of the most difficult areas of a system to access and are often the backbone of any city's sewer infrastructure. They are also the most expensive to clean, maintain, and rehabilitate and present the highest consequence of failure within any system. With SuperMD Profiler®, you get the clearest picture of your system's interceptors that no crawler can provide.

## Deliverables

---

Corrosion, Debris, Flow Height, Pipe Size, Ovality

## Platform Specs

---

### ▼ Sensors

Laser, Sonar, CCTV- Virtual Pan/Tilt/Zoom

### ▼ Parameters

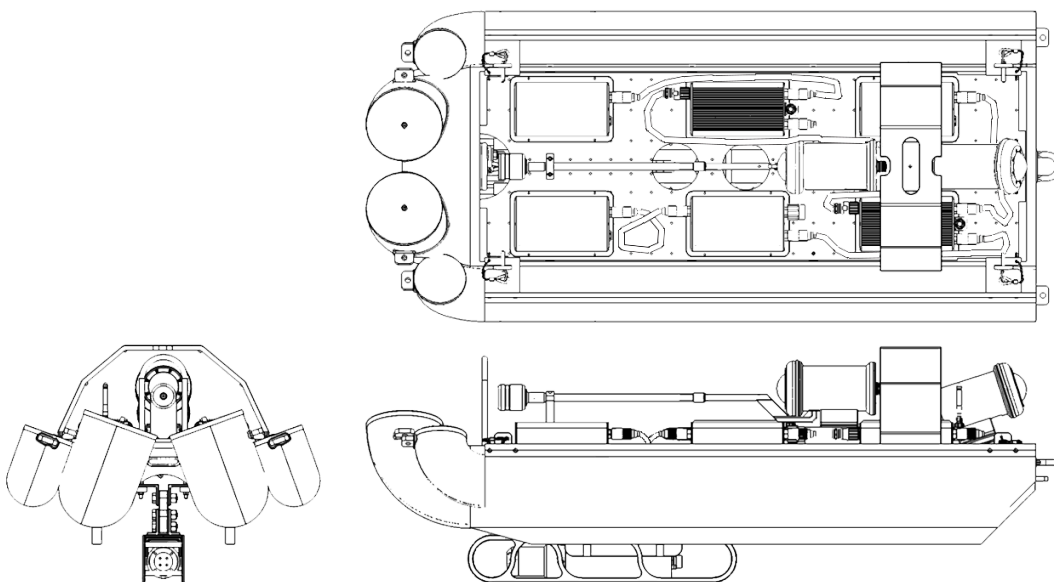
**Transportation:** Floating platform

**Pipe Size:** 36-125 in (915-3200 mm)

**Min. Flow:** 15 in (380 mm)

**Min. Air Gap:** 20 in (500 mm)

**WiFi Connectivity:** Dependent on pipeline conditions



## MDProfiler®

---

Designed to gather a full spectrum of MSI inspection data including **CCTV, sonar, and laser data**, MDProfiler is designed for long distance deployments of **10,000 feet (3,000 meters)** or more.

### Mid-Sized MSI

---

MDProfiler's adaptable design allows for both wheeled or float platforms in order to gather the most data possible within your mid-sized pipes. Flow or no flow – not a problem for the MDProfiler.

### Deliverables

---

Corrosion, Debris, Flow Height, Pipe Size, Ovality

### Platform Specs

---

▼ Sensors

Laser, Sonar, CCTV – Virtual pan, tilt, and zoom

▼ Parameters

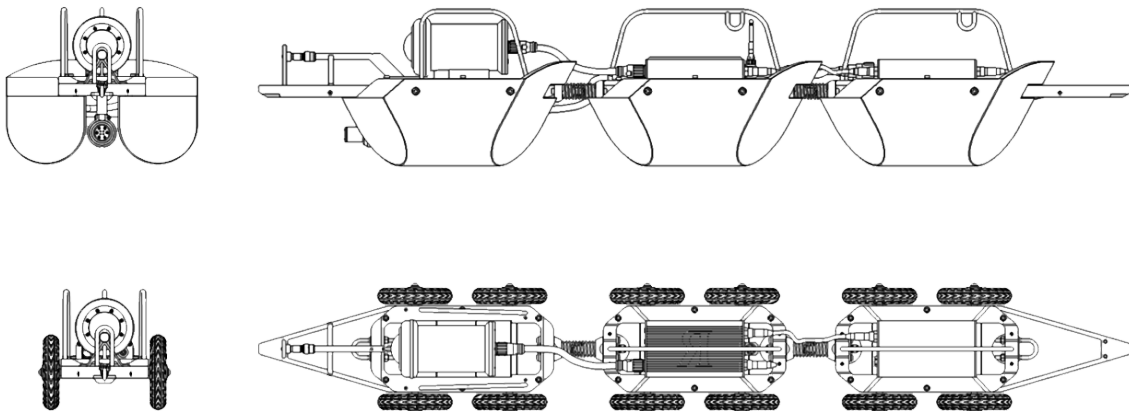
**Transportation:** Floating/wheeled platform

**Pipe Size:** 20 – 36 in (500-915 mm)

**Min Flow:** No flow

**Min Air Gap:** 8 in (200 mm)

**WiFi Connectivity:** Dependent on pipeline conditions



## MDSub®

---

Designed for **siphons and fully surcharged lines**, MDSub allows for long-range deployments of **8,000 feet (2400 meters)** or more. Identify areas of significant sediment build up in those hard-to-reach places where no CCTV crawler can go.

## Mid-sized MSI

---

MDSub allows you to identify the true condition of your surcharged assets including major faults, debris volume and location, and water level.

## Deliverables

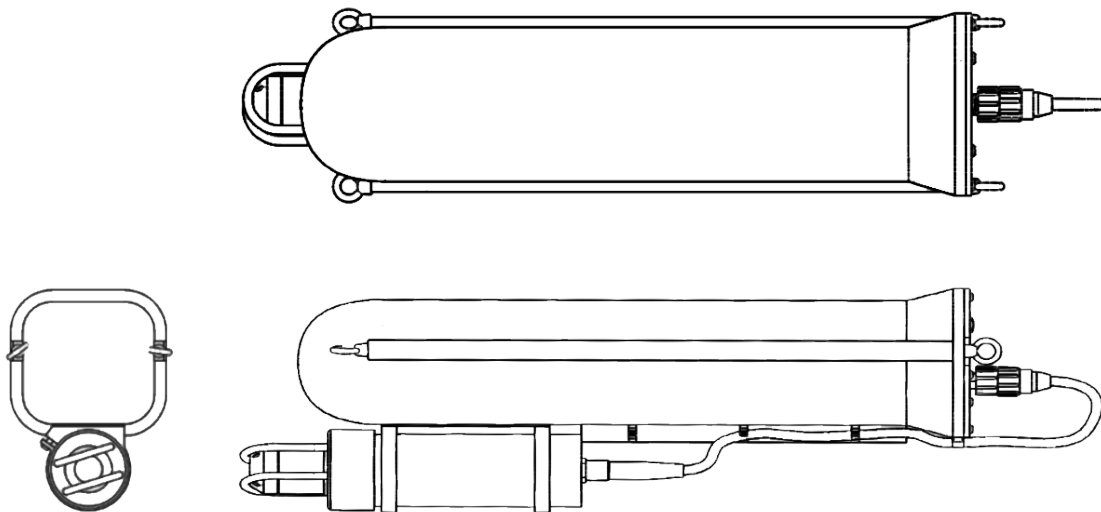
---

Debris, Flow Height, Pipe Size

## Platform Specs

---

- ▶ Sensors
- ▶ Parameters



## SnapOn Profiler®

---

SnapOn lasers provide **ovality profiling** measurements to enhance the information gathered by many of the most popular CCTV cameras. Simply attach the laser to the crawler and crawler's camera will collect and record the laser projected on the pipe wall. The SnapOn

software then digitizes the pipeline condition, presenting the previously unseen, unquantifiable deformation in easy-to-read reports.

## Universally Compatible

---

With over 500 systems sold in 43 countries, RedZone's SnapOn lasers attach to most industry leading CCTV cameras and the deployment software has been translated into 10 languages.

## Deliverables

---

User Generated Reports including Ovality Line Graph, Topographical Flat Graph, Median Diameter, Min/Max Diameter, True Diameter, Capacity

Exports – CSV, STL

## Compatibility Specifications

---

CUES – [Datasheet](#)

IBAK – [Datasheet](#)

iPEK/Envirosight – [Datasheet](#)

Subsite/RSTechnical

## Software

---

Full Install – 6.3.2 – [Download](#)

