

# Manhole Condition Assessment | Vertue

---



## The vertical asset inspection tool that provides crystal clear imagery

---

Vertue™ is a multi-sensor inspection technology for chambers and manholes. With Vertue, utility operators are able to visually assess the condition of a structure in high-definition, without the loss of quality. See the true condition of your vertical structures with detailed information via a manhole condition assessment.

Vertue delivers hi-res 3D models, CCTV flats, MACP 7.0 reporting, cylindrical videos, and parallax corrected 360 degree video.

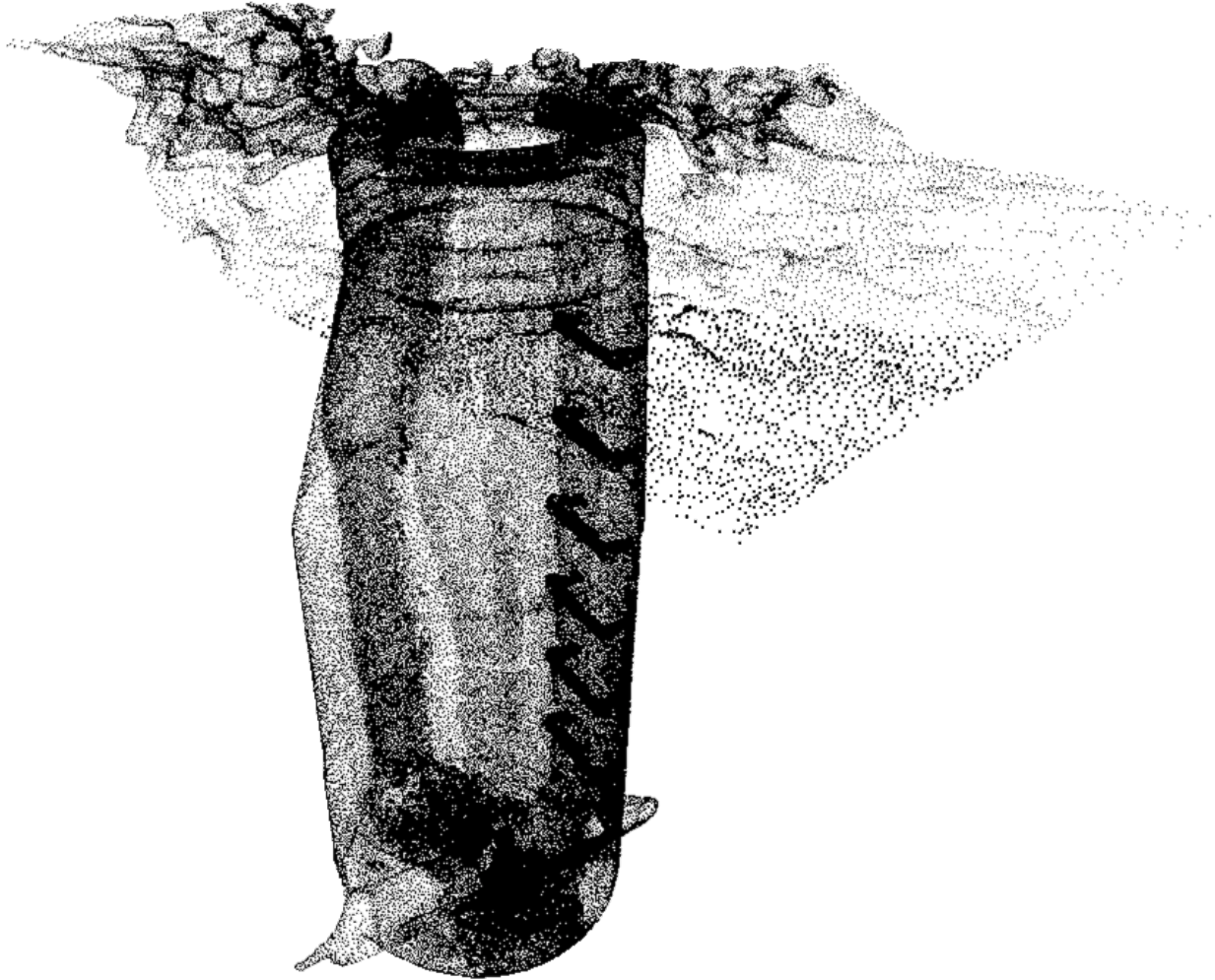


*See the entire manhole in full, 360 degree, high-resolution, even in low-light conditions.*



## **Clear crisp imagery.**

Vertue provides clear crisp imagery that lets you see every aspect of your manholes and chambers. See **every detail** with UHD video.



## Point cloud.

---

The **most dense point cloud in the industry** shows you every inch of your pipe's condition. Accurately view and measure pipe dimension and defects, as well as review data with rendered, three dimensional views.



### 3D modeling.

---

3D modeling allows you to **view the pipe from every angle**, including interior and exterior views. Pan, tilt, zoom, and rotate the model to fully explore your asset with three dimensional views.



## Why Vertue?

The vertical, multi-sensor inspection tool for **manholes and chambers**.

### 1. Clear imagery

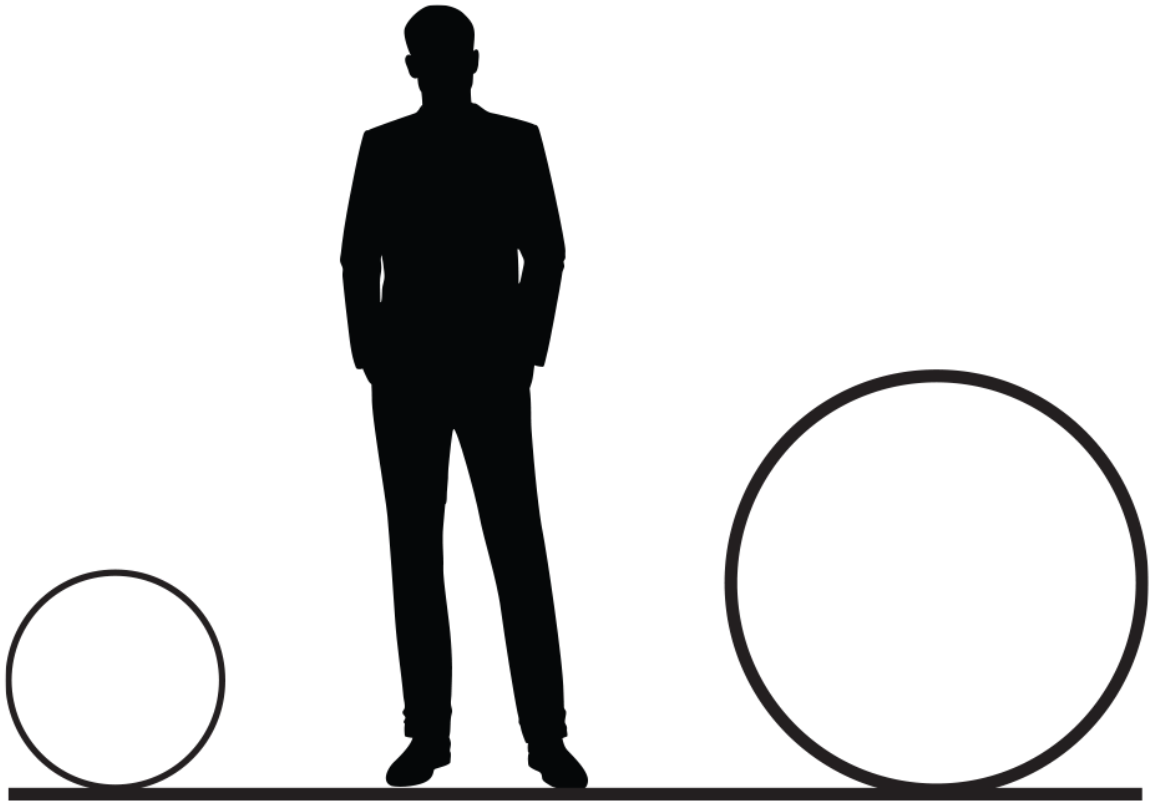
With Vertue, crews are able to capture clear and concise imagery that can be used to create **3D models and point clouds** of a manhole or chamber's structure.

### 2. Portability

Small and lightweight, at 29 pounds, Vertue requires **minimal manpower to transport and deploy**. **Wireless connectivity** means Vertue can go anywhere where WiFi or mobile data is available.

### 3. Get data in the format you need

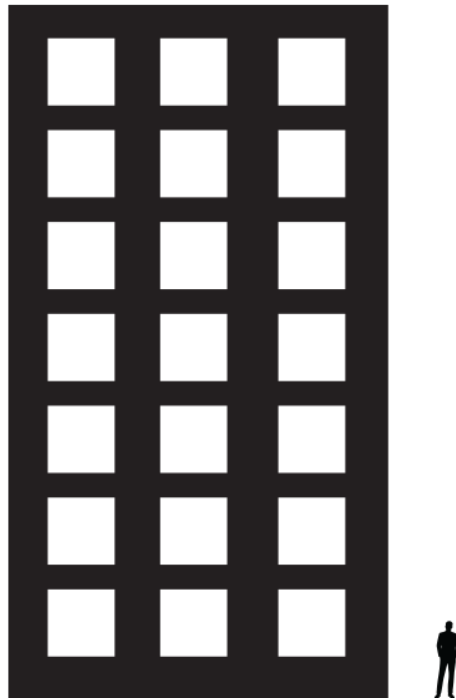
Vertue's data can be accessed using RedZone's [Integrity SaaS platform](#) and **multiple open source file formats**. Vertue's manhole condition assessment data also provides accurate and detailed data for MACP coding.



## Chamber Width

---

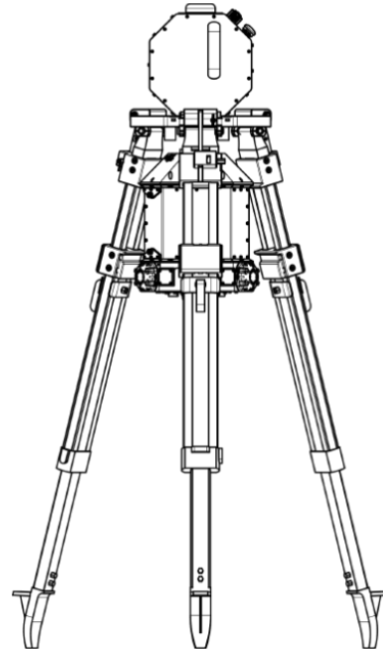
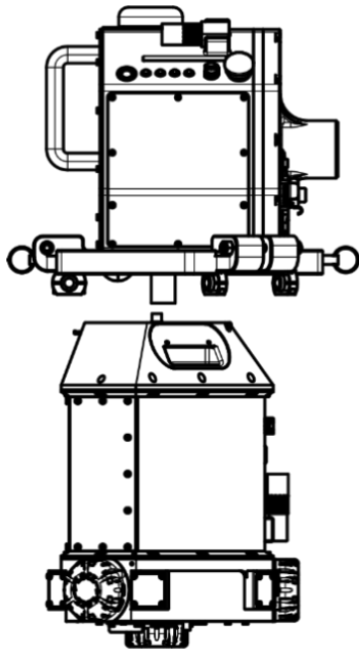
Inspect chambers from 24 inches to 720 inches wide.



## Chamber Depth

---

Vertue is equipped to descend 100 Linear Feet (LF) for most manhole inspections. Stress tests performed in the field demonstrated Vertue's ability to inspect as far as 1000 LF with crisp, clear, results.



- ▶ Technology
- ▶ Parameters
- ▶ Deliverables